



NC SERVO TECHNOLOGY

NC SERVO TECHNOLOGY
 38422 Webb Drive
 Westland, MI 48185
 734.326.6666 Fax 734.326.6669
 1.800.DC.SERVO (327.3786)
 E-Mail sales@ncservo.com
 www.ncservo.com

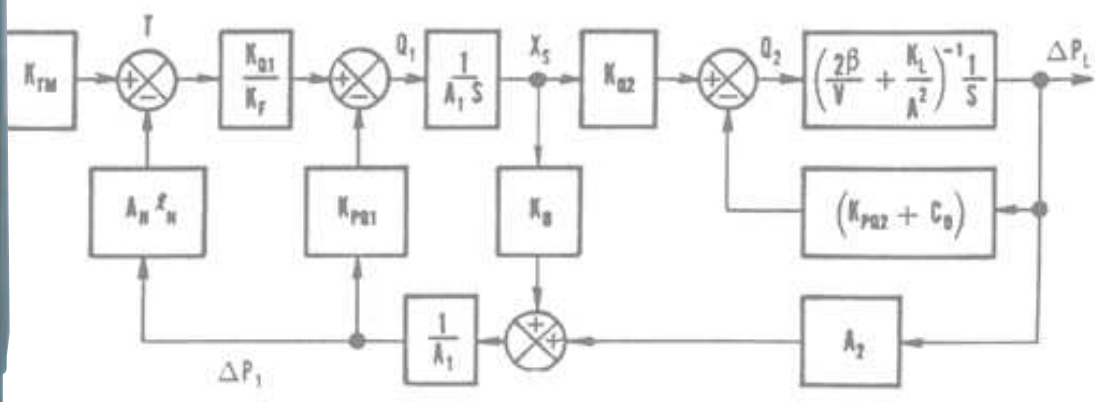
Engineering



Repairs



FIG. 12 – Frequency response with typical load



Engineering

System Engineering For Automation

Utilize NC SERVO'S 25+ years of experience with hundreds of manufacturer's controls to work for you. Take advantage of our turn key system capabilities.

Systems can be designed, assembled, calibrated and tested quickly and always cost effectively since NC SERVO stocks thousands of controls.

We also repair so we are acutely familiar with failures, thusly we include improvements in our designs which means more reliability for you.

Your quality, time and cost are critical...

So, give us a call, or check our inventory out at www.ncservo.com.

Engineering

Design / Dedication

Integrity / Excellence for:

- Acceleration
- Balance
- Closed Loop
- Data Acquisition
- Electronics
- Electro-Hydraulics
- Electro-Pneumatics
- Electro-Mechanical
- Flow
- Force
- Fixturing
- Frequency
- Friction
- Gauging
- Hydraulics
- Magnetics
- Optics
- PLC's
- Position
- Power
- Pressure
- Servo Systems
- Temperature
- Testing
- Time
- Torque
- Vacuum
- Velocity
- Vibration
- Video

A FEW REASONS WHY
YOU SHOULD USE
NC SERVO TECHNOLOGY

- MIL-Q-9858A
- MIL-I-45208A
- FAA REPAIR NSY2743K
- NIST TRACEABLE
- QUALITY SINCE 1975
- RESELLERS PROTECTED



**NC SERVO
TECHNOLOGY**

38422 Webb Drive
Westland, MI 48185
734.326.6666 Fax 734.326.6669
1.800.DC.SERVO (327.3786)
E-Mail sales@ncservo.com
www.ncservo.com